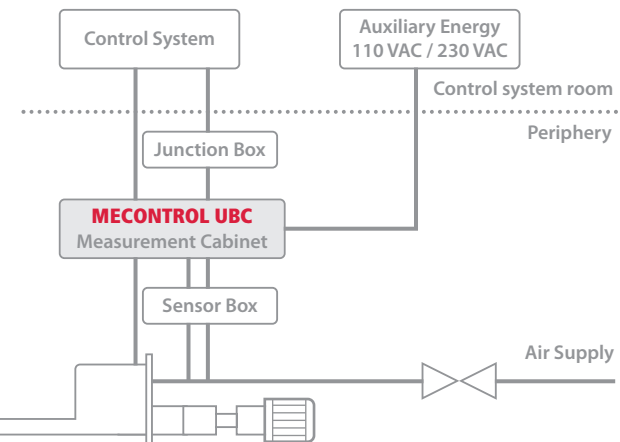


MECONTROL UBC

MECONTROL UBC continuously measures the content of unburnt carbon in fly ash as the main combustion quality control parameter. The patented system works in-situ, without complicated sampling and for most robust and lowest maintenance requirements.

- ❑ No sampling or extraction
- ❑ No pneumatic transport
- ❑ Simple mechanical design
- ❑ No grind size separation due to sampling
- ❑ Low total cost of ownership
- ❑ High accuracy version available 0,2%

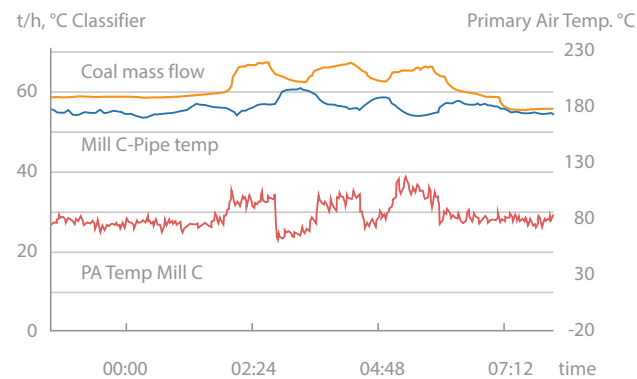


McON Temp

McON Temp temperature sensors are designed for purpose. Super fast response time guarantees fast tracing of process temperature changes on mill outlet for better control of mill dynamics combined with high wear resistance.

- ❑ Ultra thin, low wear protection tube
- ❑ Super fast - T90 < 10s
- ❑ No thermal well necessary
- ❑ Fast tracing of temperature changes and swings
- ❑ Various lengths and measuring inserts available

Primary Air, Classifier Temperature Mecontrol Coal Massflow



Lowering NOx emissions

Balanced pulverised coal massflow to the burners is crucial for low thermal NOx emissions.

Increasing boiler efficiency

Achieve drift free flow control to each burner or windbox, even at lowest flows. Reduce access air without suffering higher CO or unburned carbon.

Increasing boiler availability

Reduce flagging, avoid steam leaks and reduce fouling.

Optimising fly ash quality

Improve your ash sorting. Have in time control over your ash sorting to minimize reject ash disposal.

Increasing load swing capacity

Ask us for more information!

Contact us:

PROMECON
process measurement control GmbH
Steinfeldstraße 5 • D-39179 Barleben • Germany

Phone +49 (0)39203-512-0 • Fax +49 (0)39203-512-202
info@promecon.com • www.promecon.com



Impressum:

Editor: PROMECON process measurement control GmbH
Steinfeldstraße 5 • D-39179 Barleben • Germany

Conception/Design/Layout: toolboxx-media, Magdeburg • Germany
Picture credits: PROMECON, toolboxx-media

PROMECON
we focus on your process



„We use PROMECON’s coal flow measurement system and density dampers to improve combustion. A new Kalman Filter will also be applied to increase load swing capacity.“

Luis Andrade, Colbun, Santa Maria, Chile

54 countries, 292 plants and thousands of PROMECON sensors world wide – This is us!



**Solutions for
Coal and Biomass
Fired Boilers**

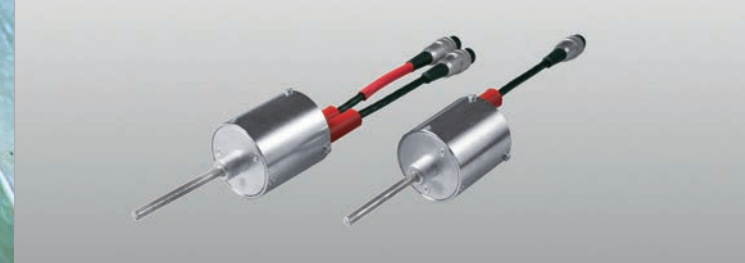


You can control what you can measure properly

www.promecon.com

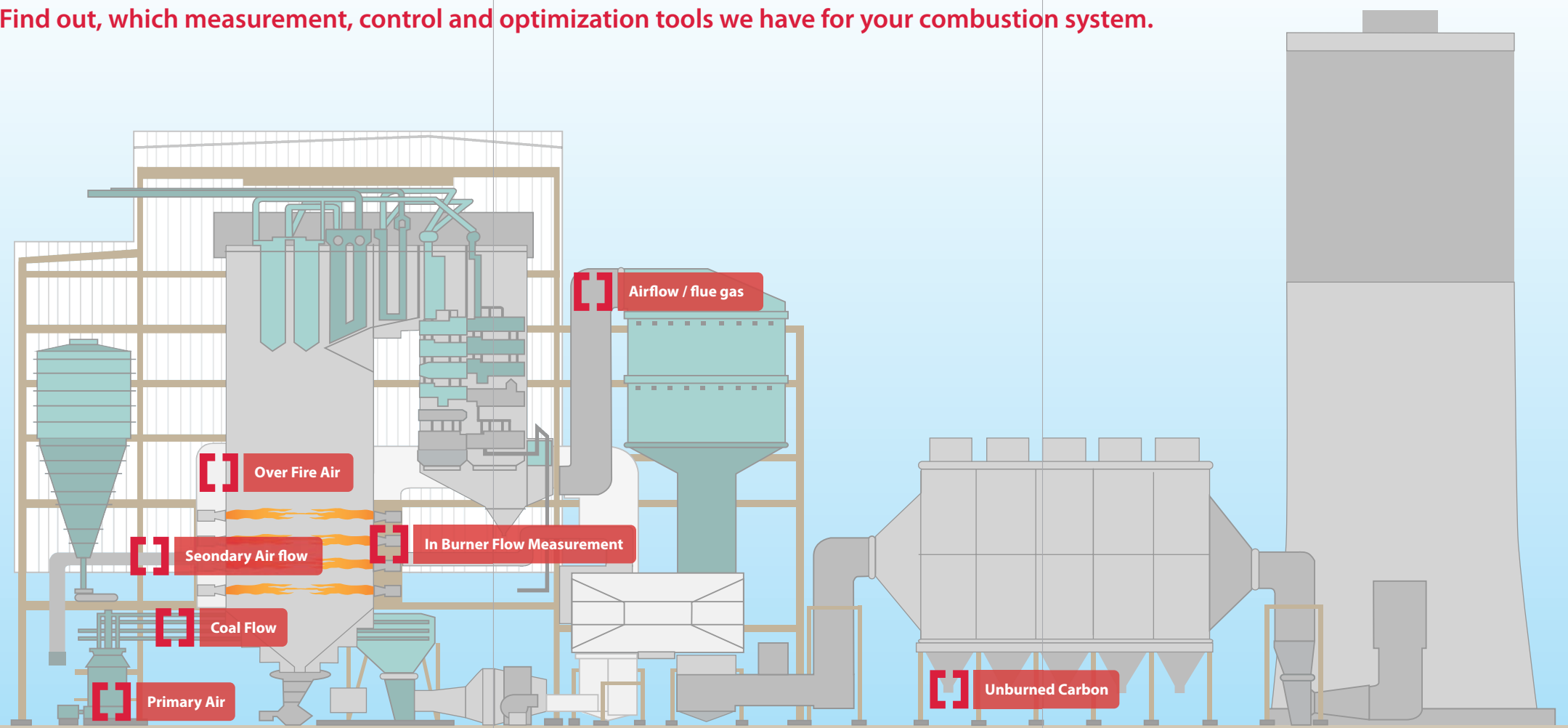
POWER





State of the art technology to resolve your combustion issues.

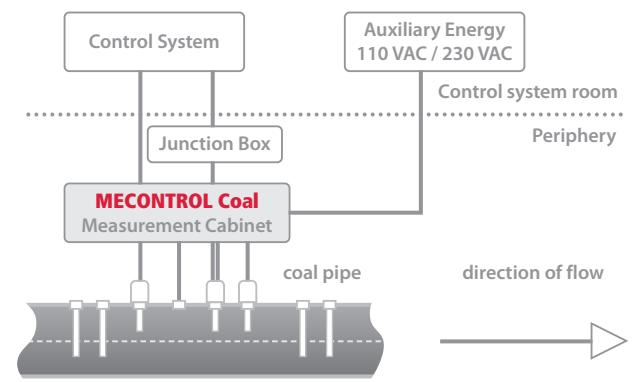
Find out, which measurement, control and optimization tools we have for your combustion system.



MECONTROL Coal

MECONTROL Coal utilizes two technologies to measure the mass-flow rate. The velocity measurement uses the time of flight of unique signal patterns created by particles contained in the gas. Density measurement is based on microwave resonance in the lower frequency range, matched to the typical pipe sizes in coal & biomass combustion.

- ❑ Absolut measurement
- ❑ Drift free - no calibration
- ❑ No maintenance - no purging
- ❑ Balance fuel flow to the burners
- ❑ Detecting fuel pulsations
- ❑ Detecting fuel layout
- ❑ Monitoring minimum velocity



McON Air

McON Air is a single channel solution which works according to a patented correlation principle. The system measures the time of flight of unique signal patterns created by particles contained in the gas. Because the principle is time based it is accurate and drift free over the entire lifetime.

- ❑ Reliable measurement of dust laden gases
- ❑ Temperature range up to 1000 °C/1800 °F
- ❑ Drift free - no calibration, no purging
- ❑ Virtually no maintenance
- ❑ SIL 2 version available
- ❑ Turn down ratio up to 25
- ❑ No K-Factors - direct time of flight measurement
- ❑ Hot tapping solution for full plant availability

